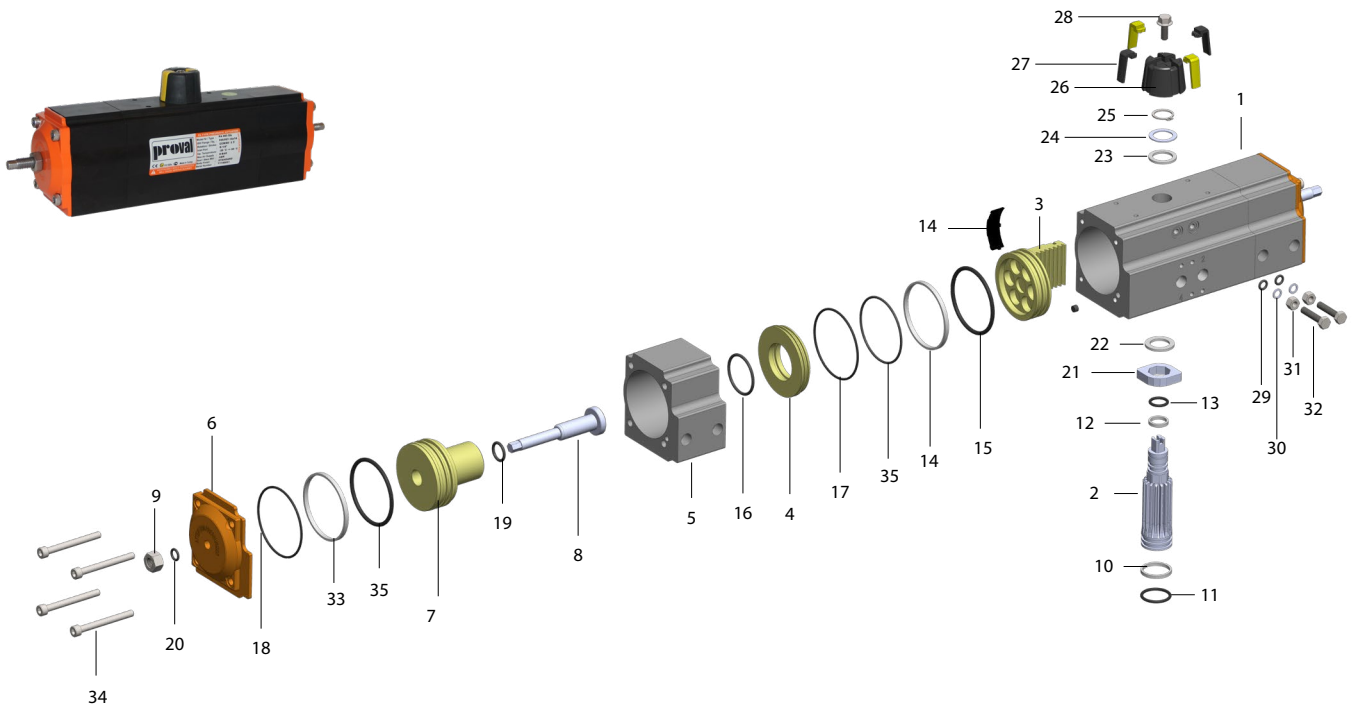




A213 Series 3 Position Pneumatic Actuators Part List



Part List

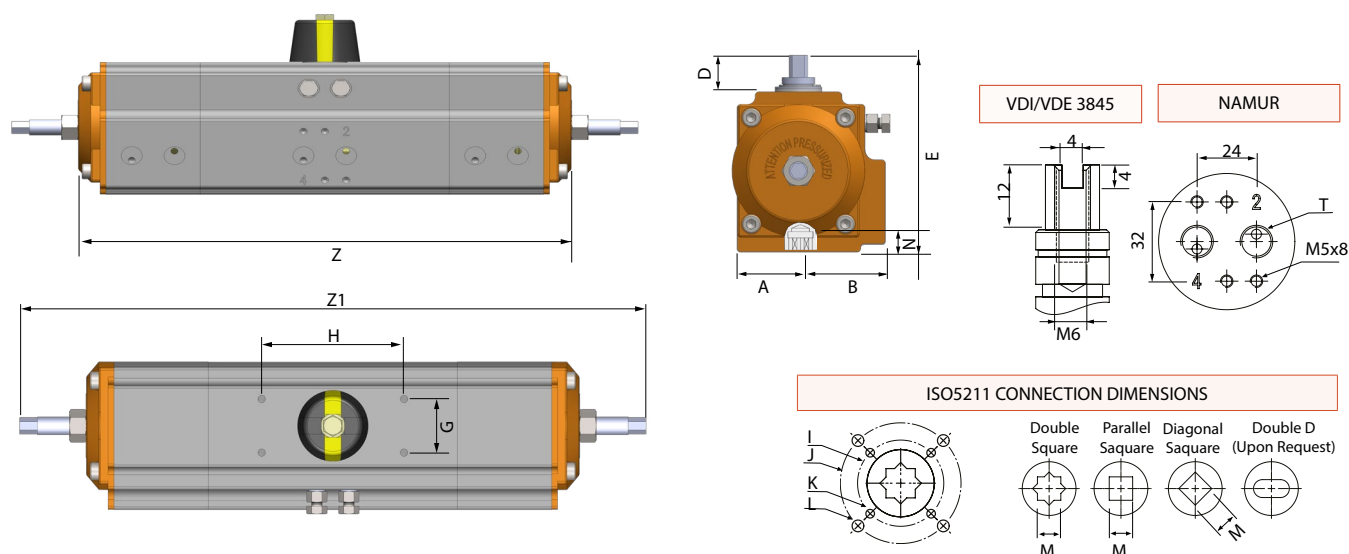
No	Part Name	Material	Protection	Qty	No	Part Name	Material	Protection	Qty
1	Body	Alu Extrusion	Anodising	1	19	Piston Shaft O-Ring	NBR		2
2	Pinion	Alloy Steel	ENP Coating	1	20	Shaft Cap O-Ring	NBR		2
3	Piston	Alu Die Cast	ENP Coating	2	21	Cam	Alloy Steel	Galvanizing	1
4	Body Mid Part	Aluminium	Anodising	2	22	Inner Washer	Engineering Plastics		1
5	Body Ext. Part	Alu Extrusion	Anodising	2	23	Washer	Engineering Plastics		1
6	End Cap	Die Cast Alu	Alodyne&Polyester	2	24	Metal Washer	Stainless Steel		1
7	Auxiliary Piston	Die Cast Alu	Alodyne Coating	2	25	Circlip	Stainless Steel		1
8	Shaft	Stainless Steel		2	26	Indicator Body	Plastic		1
9	Nut	Stainless Steel		2	27	Indicator Part	Plastic		4
10	Lower Stem Bushing	Engineering Plastics		1	28	Indicator Screw	Stainless Steel		1
11	Lower Stem O-Ring	NBR		1	29	Adjustment Screw O-Ring	NBR		2
12	Upper Stem Bushing	Engineering Plastics		1	30	Adjustment Screw Washer	Stainless Steel		2
13	Upper Stem O-Ring	NBR		1	31	Nut	Stainless Steel		2
14	Guide Piston	Engineering Plastics		2	32	Hexagon Bolt	Stainless Steel		2
15	Piston O-Ring	NBR		2	33	Outer Nut	Stainless Steel		2
16	Piston Shaft O-Ring	NBR		2	34	Cap Bolt	Stainless Steel		2
17	Body O-Ring	NBR		2	35	O-Ring	NBR		2
18	Cap O-Ring	NBR		2					

A213 Series 3 Position Pneumatic Actuators

A213 Series 3 position 90 degrees rotating rotary pneumatic actuators offers a midway position to be set in any desired position between 0 and 90 degrees by adjusting the set screws located outside of the end caps

- Well suited for coarse-precise dosing filling, batching operations
- Field adjustable
- Double and single acting
- Namur accessory mounting configuration
- 180 degree rotation on request

A213 Series 3 Position Pneumatic Actuators Dimensions



Dimensions(mm)

Model	A	B	E	D	G	H	I	J	K	L	M	N	Z	Z1 (0°)	Z1 (90°)	T
PA 52	30	41,5	92	20	30	80	ø36	ø50	M5x8	M6x10	9-11	14	283	413	444	G1/4"
PA 63	36	47	107,5	20	30	80	ø50	ø70	M6x10	M8x13	9-11-14	18	305	445	483	G1/4"
PA 75	42	53	119,5	20	30	80	ø50	ø70	M6x10	M8x13	11-14	18	342	499	537	G1/4"
PA 83	46	57	128,7	20	30	80	ø50	ø70	M6x10	M8x13	14-17	21	377	550	597	G1/4"
PA 92	50	58,5	136,8	20	30	80	ø50	ø70	M6x10	M8x13	14-17	21	465	678	735	G1/4"
PA 105	57,5	64	153	20	30	80	ø70	ø102	M8x13	M10x16	17-22	26	492	718	781	G1/4"
PA 125	67,5	74,5	175	20	30	80	ø70	ø102	M8x13	M10x16	22	26	553	807	876	G1/4"
PA 140	75	77	191,5	20	30	80	ø102	ø125	M10x16	M12x20	27	31	720	1051	1145	G1/4"
PA 160	87	87	217	20	30	80	ø102	ø125	M10x16	M12x20	27	31	825	1209	1319	G1/4"

Torque Values (Nm)

Output Torque Values are identical to that of A210 Series. Please see Torque Charts on pages 56,58,59

Actuator Weights (Kg/Pc)

Model	PA 52	PA 63	PA 75	PA 83	PA 92	PA 105	PA 125	PA 140	PA 160
A213-DA	3,2	4,8	6,2	7,5	11,4	13,5	20,6	27,4	43,4
A213-SR	3,3	4,9	6,4	7,8	11,9	14,3	22,0	29,8	47,7